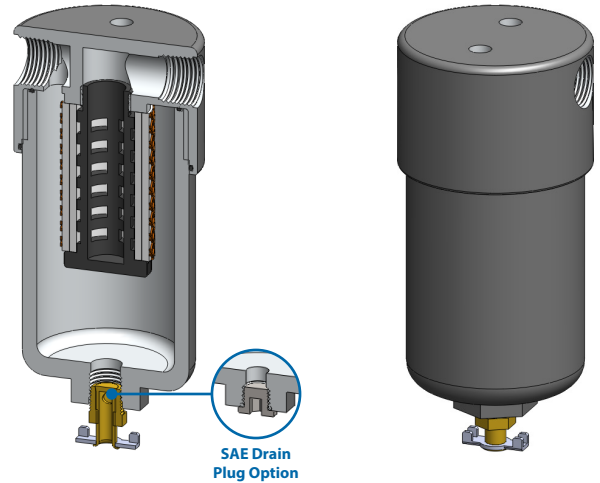


AAC214 NGV Filter Housing

| | |
|------------------|----------------------------------|
| Materials | Aluminium 6082 |
| Pressure | Up to 35 Bar |
| Ports | 1/4" NPT, SAE-6 or Metric |
| Element | 25.64.□.R |

AAC214 series low pressure NGV filter housings have an anodised head and bowl machined from solid aluminium 6082 bar stock. These high efficiency coalescing filter housings are suitable for use with compressed natural gas in alternative fuel systems for on-vehicle applications.

Designed to use the 25.64.□.R coalescing filter cartridge the housings are supplied with 1/4" NPT, SAE-6 or metric (ISO 6149-1) ports and a plugged drain port for easy drainage of any coalesced liquids. A manual twist drain option also available.



AAC214 NGV Filter Housing

Technical Specifications

| Housing Model | AAC214.251 | AAC214.261 | AAC214.554 | AAC214.564 | AAC214.566 |
|-----------------------------------|-----------------------|-----------------------|-----------------------|-----------------------|-----------------------|
| Port Size | 1/4" NPT | 1/4" NPT | SAE-6 (9/16"-18) | SAE-6 (9/16"-18) | M14 x 1.5 |
| Drain | SAE-6 Drain Plug | Manual Drain Valve | SAE-6 Drain Plug | Manual Drain Valve | Manual Drain Valve |
| Maximum Pressure, Bar | 35 | 35 | 35 | 35 | 35 |
| Minimum Burst Pressure, Bar | 140 | 140 | 140 | 140 | 140 |
| Temperature Range, °C | -40°C to +125°C | -40°C to +125°C | -40°C to +125°C | -40°C to +125°C | -40°C to +125°C |
| Materials of Construction | | | | | |
| Head & Bowl | Aluminium 6082 | Aluminium 6082 | Aluminium 6082 | Aluminium 6082 | Aluminium 6082 |
| Internals | Polyamide | Polyamide | Polyamide | Polyamide | Polyamide |
| Drain | Stainless Steel | Brass | Stainless Steel | Brass | Brass |
| Seals | Fluoroelastomer (FKM) | Fluoroelastomer (FKM) | Fluoroelastomer (FKM) | Fluoroelastomer (FKM) | Fluoroelastomer (FKM) |
| Filter Cartridge Code (1) | 25.64.□.R | 25.64.□.R | 25.64.□.R | 25.64.□.R | 25.64.□.R |
| Principal Dimensions in mm | | | | | |
| Diameter | 80 | 80 | 80 | 80 | 80 |
| Height | 157 | 177 | 157 | 177 | 177 |
| Volume of Sump, cc | 148 | 148 | 148 | 148 | 148 |
| Weight, kg | 0.75 | 0.75 | 0.75 | 0.75 | 0.75 |
| Accessories | | | | | |
| Mounting Bracket | MBAAC21 | MBAAC21 | MBAAC21 | MBAAC21 | MBAAC21 |

Notes

(1) Replace the □ with the grade required, e.g. 25.64.7CS.R



Contact Us

Classic Filters Ltd.
Sextant Park
Neptune Close
Rochester
Kent
England
ME2 4LU

T +44 (0)1634 724224
F +44 (0)1634 724234
E info@classicfilters.com
W www.classicfilters.com

Follow Us



<http://www.linkedin.com/company/classic-filters-ltd.>



<http://www.twitter.com/classicfilters>